

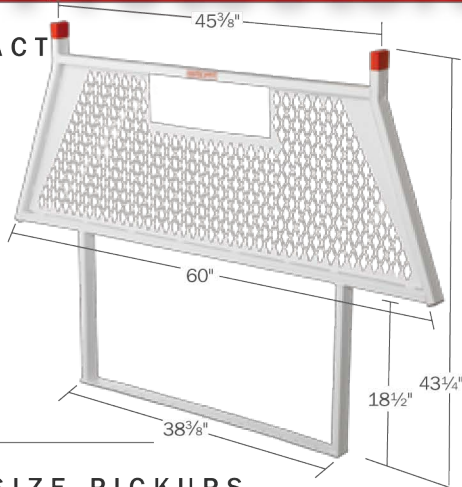
PROTECT-A-RAIL® Cab Protectors/Accessories

FOR COMPACT PICKUPS

1910-3-01 (white)
1910-5-01 (black)

Steel screen cab protector mounts to the bed of a mini pickup. Installation hardware provided.

Ship Weight: 42 Lbs.



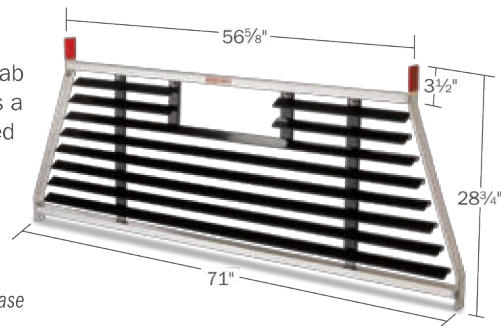
FOR FULL-SIZE PICKUPS

1905-0-01

Aluminum frame cab protector. Features a lightweight extruded aluminum frame with 14-gauge steel louvers.

Ship Weight: 33 Lbs.

Requires separate purchase of Installation Kit.



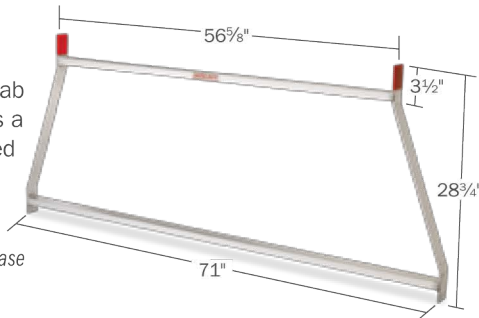
FOR FULL-SIZE PICKUPS

1907-0-01

Aluminum frame cab protector. Features a lightweight extruded aluminum frame.

Ship Weight: 19 Lbs.

Requires separate purchase of Installation Kit.



FOR FULL-SIZE PICKUPS

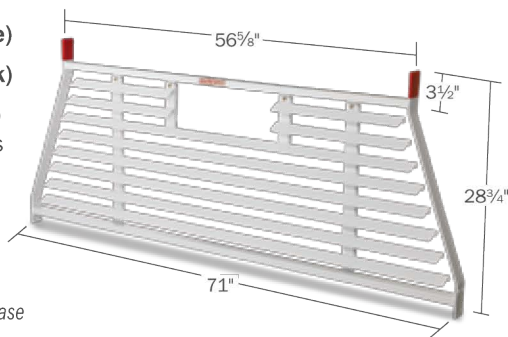
1904-3-01 (white)

1904-5-01 (black)

Steel louvered cab protector. Features a steel frame and 14-gauge steel louvers.

Ship Weight: 46 Lbs.

Requires separate purchase of Installation Kit.



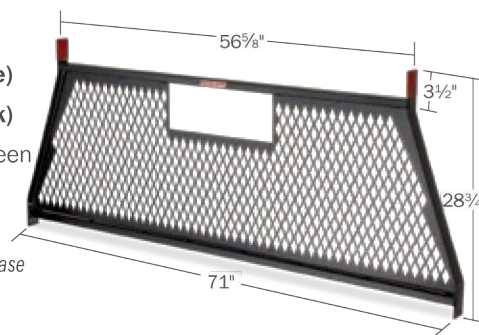
FOR FULL-SIZE PICKUPS

1906-3-01 (white)
1906-5-01 (black)

Punched steel screen cab protector.

Ship Weight: 33 Lbs.

Requires separate purchase of Installation Kit.



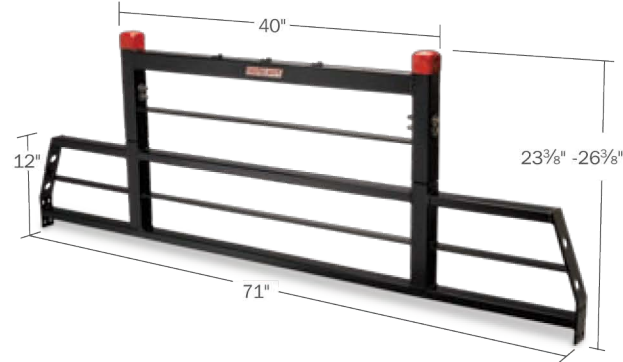
FOR FULL-SIZE PICKUPS

1908

Heavy-duty cab protector.

Ship Weight: 46 Lbs.

Requires separate purchase of Installation Kit.



ACCESSORIES FOR MOUNTING WARNING LIGHTS & LADDERS



1917

Ladder mount extension.

Ship Weight: 5 Lbs.



1918

7 1/2" round base.

Ship Weight: 2 Lbs.



1920

9 1/2" x 17" rectangular base.

Ship Weight: 6 Lbs.



1919

7 1/2" side mount round base.

Ship Weight: 3 Lbs.

INSTALLATION KITS

All full-size PROTECT-A-RAIL® Cab Protector models require separate purchase of Installation Kit. Each kit is designed to custom fit your vehicle.

CHEVROLET

1916-3, 1916-5

'99 and newer Silverado

Ship Weight: 14 Lbs.

1914-3, 1914-5

'00 and older CK

Ship Weight: 13 Lbs.

Will not fit GM & Chevy 3500 HD.

DODGE

1912-3, 1912-5

'94 and newer

Ship Weight: 13 Lbs.

1914-3, 1914-5

'93 and older

Ship Weight: 13 Lbs.

FORD

1913-3, 1913-5

'97 and newer Ford F-150,
2007 and newer Toyota Tundra

Ship Weight: 15 Lbs.

1915-3, 1915-5

'99 and newer Super Duty F-250/F-350
'96 and older F-150/F-250/F-350

Ship Weight: 14 Lbs.



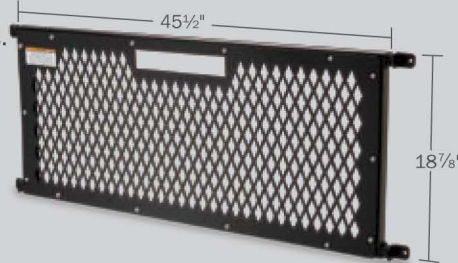
Mounting Bracket

ACCESSORY CAB SCREEN FOR COMPACT PICKUPS

1359

Fits both the 1345
and 1375 series racks.

Ship Weight: 33 Lbs.



ALUMINUM CONDUIT CARRIER

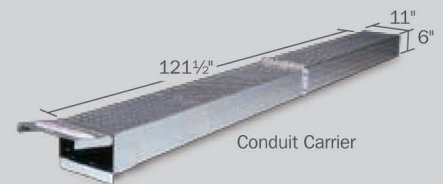
237 – Conduit Carrier

Ship Weight: 40 Lbs.

238 – 6" Extension

Ship Weight: 4 Lbs.

Keep your conduit safe,
secure and clean with
our lightweight and
durable Conduit Carrier.



Conduit Carrier



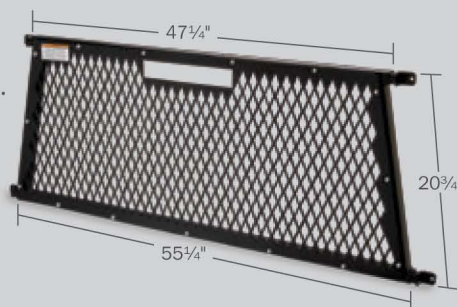
6" Extension

ACCESSORY CAB SCREEN FOR FULL-SIZE PICKUPS

1259

Fits both the 1245
and 1275 series racks.
Not available for
Dodge Dakota.

Ship Weight: 35 Lbs.



MAKE-YOUR-OWN CONDUIT CARRIER

239

PVC not included.
Separately purchase a
section of standard 6" PVC
(9ASTM D2665) plastic drain
pipe. Coordinate the length
of the PVC with the length
of conduit you'll be carrying.

Ship Weight: 4 Lbs.



AIRFOIL

FOR USE WITH MODEL 1245 & 1275

1246

Separate purchase of Airfoil
required for Ford Super Cab
Super Duty Vehicles.

Ship Weight: 5 Lbs.



1247

Separate purchase of Airfoil
required for GM, Dodge
and Ford F-150 Extended
Cab Vehicles.

Ship Weight: 7 Lbs.



ACCESSORY CROSS MEMBER

1060-5

Fits the 1245, 1275, 1345 & 1375 series racks.

Accessory cross member makes it easier to haul shorter and
more flexible materials or shorter ladders on your ladder rack.

Ship Weight: 10 Lbs.

