

▶ MicroPulse™ Ultra | External Mount/Perimeter Lights

FEATURES

- Superior warning with high-powered LEDs.
- Low-profile design offers wider range of mounting locations.
- 18 (MPS3U and MPS1220U), 23 (MPS6U and MPS620U) or 25 (MPS12U) selectable flash patterns.
- Suitable for external and/or internal mounting applications.
- Includes black bezel and gasket, optional bezels available in Chrome or White.
- Single/multi-unit synchronization.
- Available in single, split, and dual color models.
- Three-year LED warranty.

APPROVALS

MicroPulse Ultra 3

- SAE J845, Class 1 (Amber, Red, Blue, White)
- SAE J595, Class 1 (Amber, Red, Blue)

MicroPulse Ultra 6 — Split and Dual Color

- SAE J845, Class 1 (Amber, Red, Blue)
- SAE J595, Class 1 (Amber, Red, Blue)

MicroPulse Ultra 12 — Split and Dual Color

- SAE J845, Class 1 (Amber, Red)
- SAE J595, Class 1 (Amber, Red)

Highly Effective Ultra Slim Warning Light

The MicroPulse™ Ultra models have a low-profile design that offers a wider range of mounting options to fit various applications. The advanced high-output LED lighthouse can be programmed to operate as a single unit or in synchronization with multiple MicroPulse lighthouses. Built-in flash patterns enable multiple vehicle perimeter lights to be either synchronized in the same pattern or in opposite sequence.

Built to Stand Up to the Most Punishing Conditions

The MicroPulse Ultra lens is made of UV resistant polycarbonate to protect against harsh conditions. Models include a fully encapsulated water-proof housing, which provides a barrier against moisture and condensation. All MicroPulse Ultra perimeter lights are backed by Federal Signal's comprehensive three-year warranty.

A Versatile Solution for Supplemental Warning Light Application

Suitable for external and/or internal mounting applications, the MicroPulse Ultra comes in many colors, including Amber, Blue, Red and White, as well as split-color and dual-color combinations. Models come standard with a black bezel and are also available with an optional chrome or white bezel.



MicroPulse Ultra is only 0.35" thick



MicroPulse Ultra Compliance Chart							
MPS300U							
Color	J845	J845 Coverage (MPS3000U)	J595 Class	CA T13 Class	NFPA		
					Zone	No. of Devices (Zone)	
Amber	1	≥50°	1	B	Lower	2	
Red	1	≥60°	1	B	Lower	2	
Blue	1	≥60°	1	B	Lower	3	
White	1	≥50°	N/A	N/A	Lower	1	

MPS600U							
Color	J845	J845 Coverage (MPS600U)	J845 Coverage (MPS620U)	J595 Class	CA T13 Class	NFPA	
						Zone	No. of Devices (Zone)
Amber	1	>70°	>50°	1	B	Lower	1
Red	1	70°	>60°	1	B	Lower	1
Blue	1	>60°	>50°	1	B	Lower	3
White	1	> 70°	>50°	1	N/A	N/A	N/A

MPS1200U							
Color	J845	J845 Coverage (MPS1200U)	J845 Coverage (MPS1220U)	J595 Class	CA T13 Class	NFPA	
						Zone	No. of Devices (Zone)
Amber	1	≥80°	≥70°	1	B	Lower	1
Red	1	≥80°	≥70°	1	B	Lower	1
Blue	1	≥70°	≥65°	1	B	N/A	N/A
White	1	≥80°	≥65°	1	N/A	N/A	N/A

Note: Not all flash patterns meet specifications.



MicroPulse Ultra 6 on front side of mirror

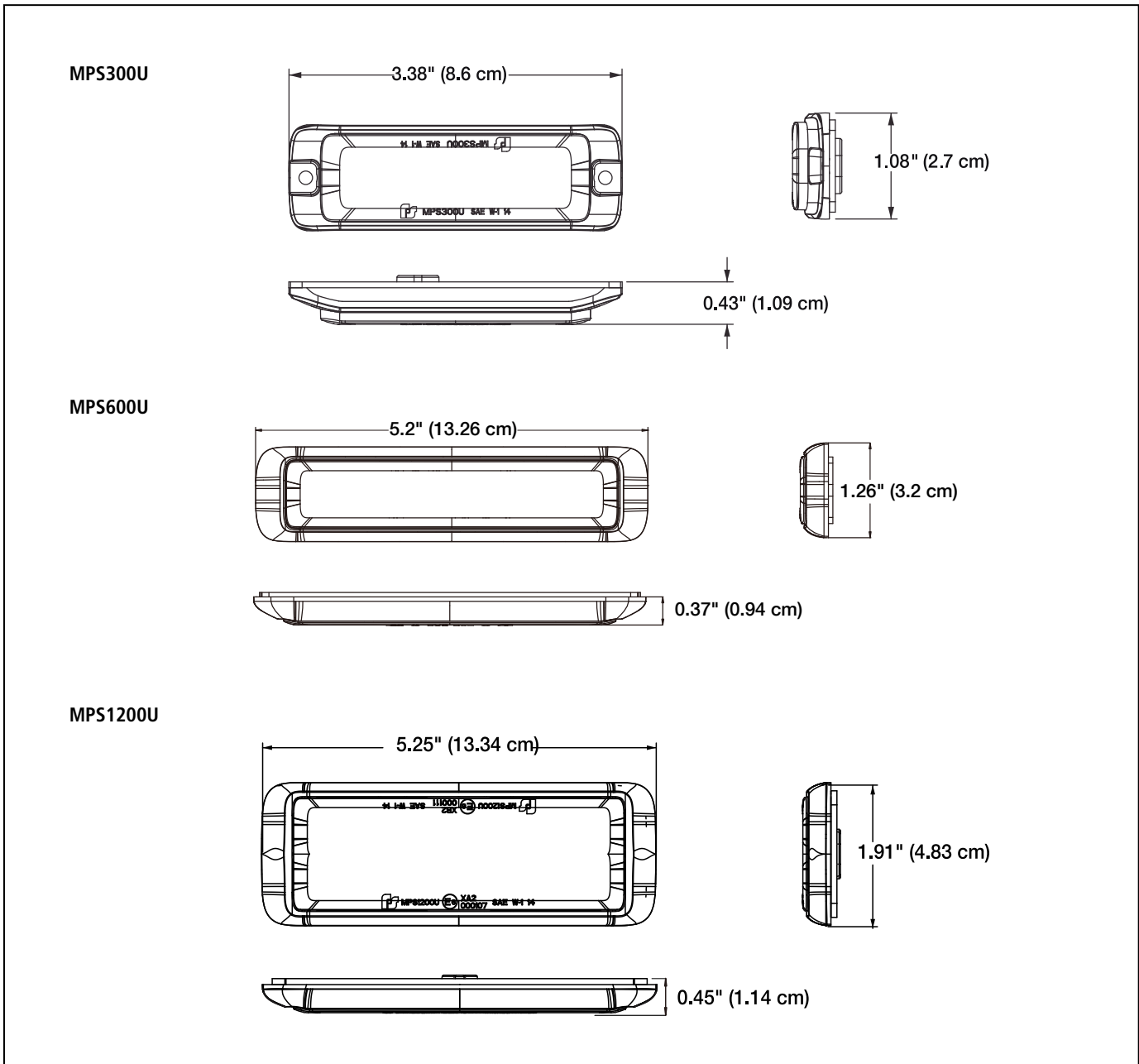


MicroPulse Ultra 6 behind rear side window



MicroPulse Ultra 6 on bottom of rear hatch

DIAGRAMS



SPECIFICATIONS

Specifications	MPS300U	MPS600U / MPS620U	MPS1200U / MPS1220U
Voltage	12-24 VDC	12-24 VDC	12-24 VDC
Current Draw	0.2 Amps at 12 VDC 0.11 Amps at 24 VDC	0.79 Amps at 12 VDC 0.45 Amps at 24 VDC	1.51 Amps at 12 VDC 0.86 Amps at 24 VDC
Operating temp	-40°C to 80°C	-40°C to 80°C	-40°C to 80°C
Physical Specifications			
Height	1.08 in (2.7 cm)	1.26 in (3.2 cm)	1.91 in (4.83 cm)
Length	3.38 in (8.6 cm)	5.2 in (13.26 cm)	5.25 in (13.34 cm)
Depth	0.43 in (1.09 cm)	0.37 in (0.94 cm)	0.45 in (1.14 cm)
Ship Weight			
	0.5 lbs (0.23 kg)	0.75 lbs (0.34 kg)	1.0 lbs (0.45 kg)

Select Model

MicroPulse Ultra 3, Surface Mount, 12-24 VDC, Clear Lens

MPS300U-A	3-LED light head, Amber
MPS300U-B	3-LED light head, Blue
MPS300U-R	3-LED light head, Red
MPS300U-W	3-LED light head, White

MicroPulse Ultra 6, Split Color, Surface Mount, 12-24 VDC, Clear Lens

MPS600U-AA	6-LED light head, (6) Amber
MPS600U-BB	6-LED light head, (6) Blue
MPS600U-RR	6-LED light head, (6) Red
MPS600U-WW	6-LED light head, (6) White
MPS600U-WA	6-LED light head, (3) White / (3) Amber
MPS600U-BA	6-LED light head, (3) Blue / (3) Amber
MPS600U-BW	6-LED light head, (3) Blue / (3) White
MPS600U-BR	6-LED light head, (3) Blue / (3) Red
MPS600U-RW	6-LED light head, (3) Red / (3) White
MPS600U-RA	6-LED light head, (3) Red / (3) Amber

MicroPulse Ultra 6, Dual Color, Surface Mount, 12-24 VDC, Clear Lens

MPS620U-BA	12-LED light head, (6) Blue / (6) Amber
MPS620U-BR	12-LED light head, (6) Blue / (6) Red
MPS620U-BW	12-LED light head, (6) Blue / (6) White
MPS620U-RA	12-LED light head, (6) Red / (6) Amber
MPS620U-RW	12-LED light head, (6) Red / (6) White
MPS620U-WA	12-LED light head, (6) White / (6) Amber

MicroPulse Ultra 12, Split Color, Surface Mount, 12-24 VDC, Clear Lens

MPS1200U-AA	12-LED light head, (12) Amber
MPS1200U-BB	12-LED light head, (12) Blue
MPS1200U-RR	12-LED light head, (12) Red
MPS1200U-BR	12-LED light head, (6) Blue / (6) Red
MPS1200U-BW	12-LED light head, (6) Blue / (6) White
MPS1200U-RW	12-LED light head, (6) Red / (6) White
MPS1200U-RA	12-LED light head, (6) Red / (6) Amber
MPS1200U-BA	12-LED light head, (6) Blue / (6) Amber
MPS1200U-WA	12-LED light head, (6) White / (6) Amber

MicroPulse Ultra 12, Dual Color, Surface Mount, 12-24 VDC, Clear Lens

MPS1220U-BA	12-LED light head, (12) Blue / (12) Amber
MPS1220U-BR	12-LED light head, (12) Blue / (12) Red
MPS1220U-BW	12-LED light head, (12) Blue / (12) White
MPS1220U-RA	12-LED light head, (12) Red / (12) Amber
MPS1220U-RW	12-LED light head, (12) Red / (12) White
MPS1220U-WA	12-LED light head, (12) White / (12) Amber

Accessories

MPSUM3-1	Chrome bezel for (1) MicroPulse Ultra 3 Series light head
MPSUM3-2	White bezel for (1) MicroPulse Ultra 3 Series light head
MPSUM6-1	Chrome bezel for (1) MicroPulse Ultra 6 Series light head
MPSUM6-2	White bezel for (1) MicroPulse Ultra 6 Series light head
MPSUM12-1	Chrome bezel for (1) MicroPulse Ultra 12 Series light head
MPSUM12-2	Chrome bezel for (1) MicroPulse Ultra 12 Series light head



MicroPulse is a trademark of Federal Signal Corporation.

©2016 Federal Signal Corporation. M4067 I 1116